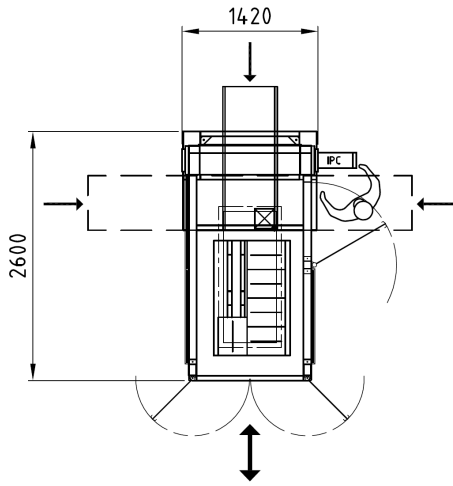


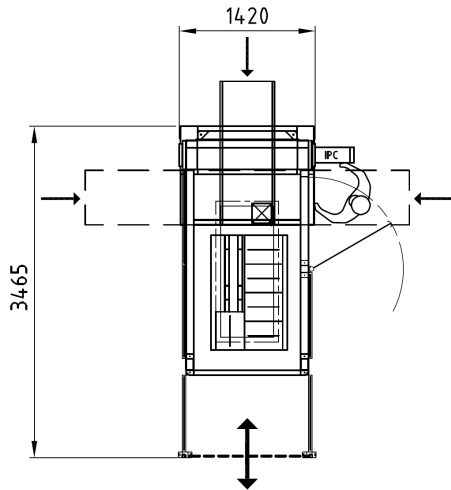
SOCO SYSTEM palletising robot standard examples 2023

1



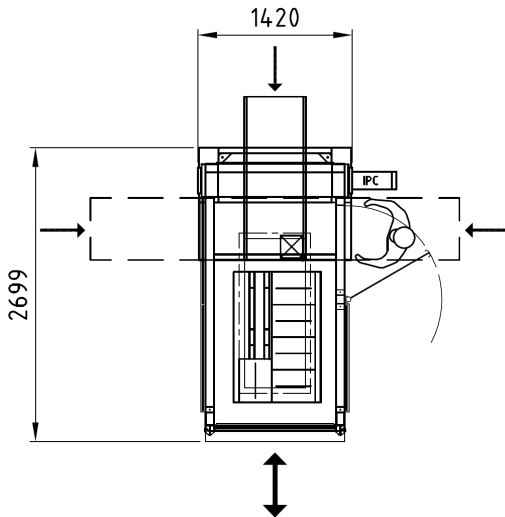
Robot palletiser, pallet on the floor, saloon doors ⁽¹⁾

2



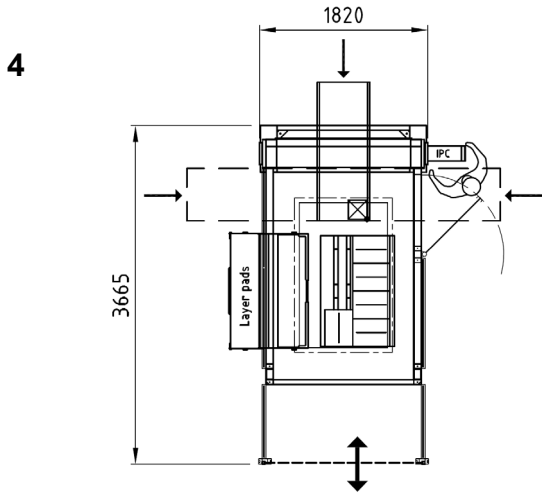
Robot palletiser, pallet on the floor, safety light barrier ⁽¹⁾

3

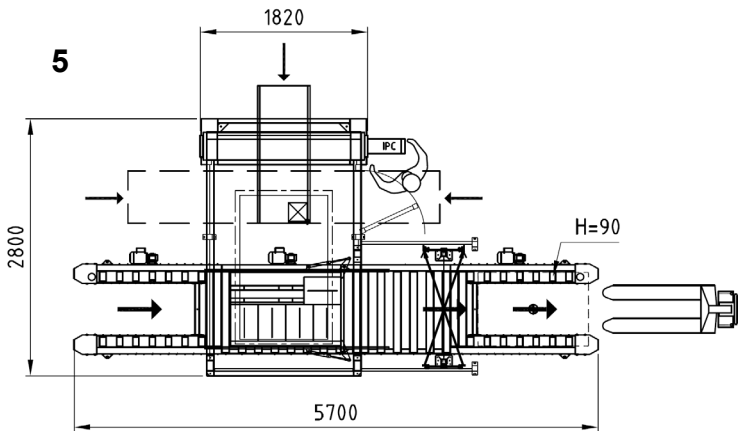


Robot palletiser, pallet on the floor, roller safety curtain ⁽¹⁾

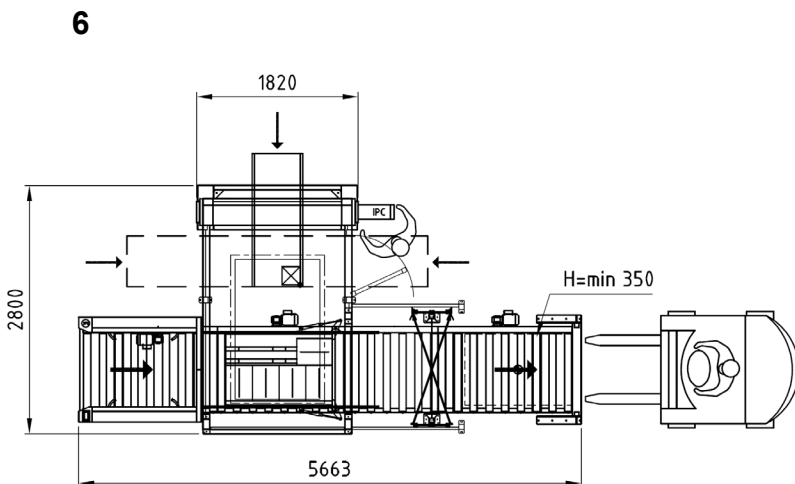
SOCO SYSTEM palletising robot standard examples 2023



Robot palletiser, pallet on the floor, safety light barrier and with layer pad magazine (1)

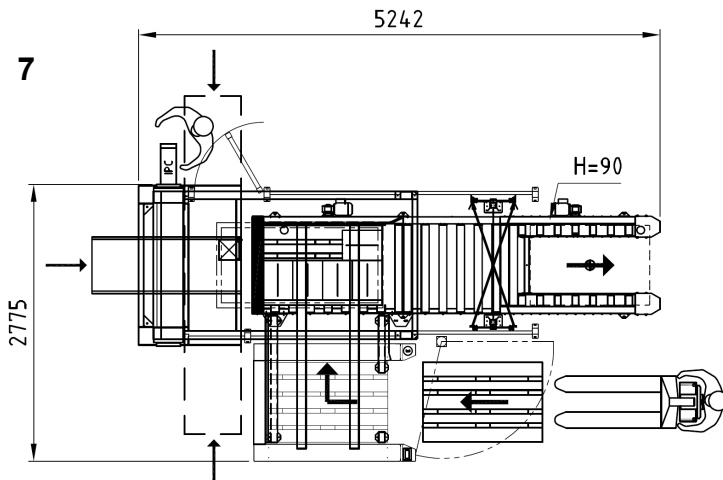


Robot palletiser with automatic pallet exchange

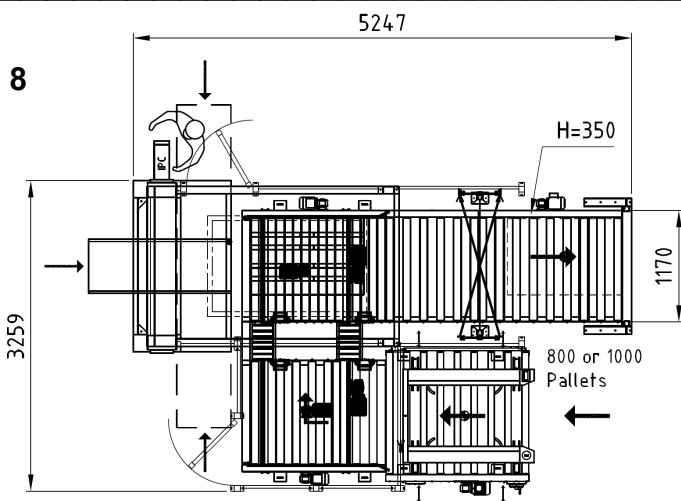


Robot palletiser with pallet magazine and automatic pallet exchange

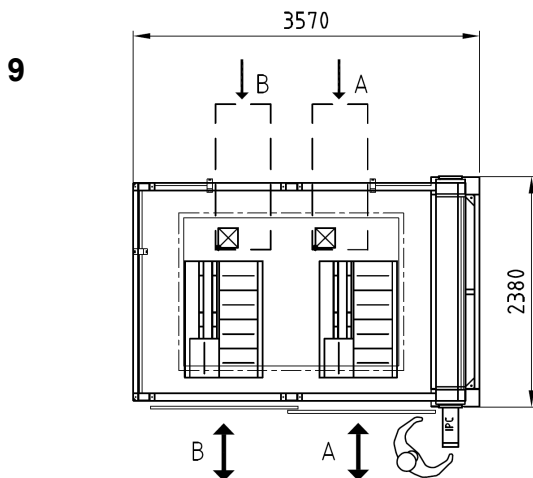
SOCO SYSTEM palletising robot standard examples 2023



Robot palletiser with pallet magazine, front feeding, and automatic pallet exchange



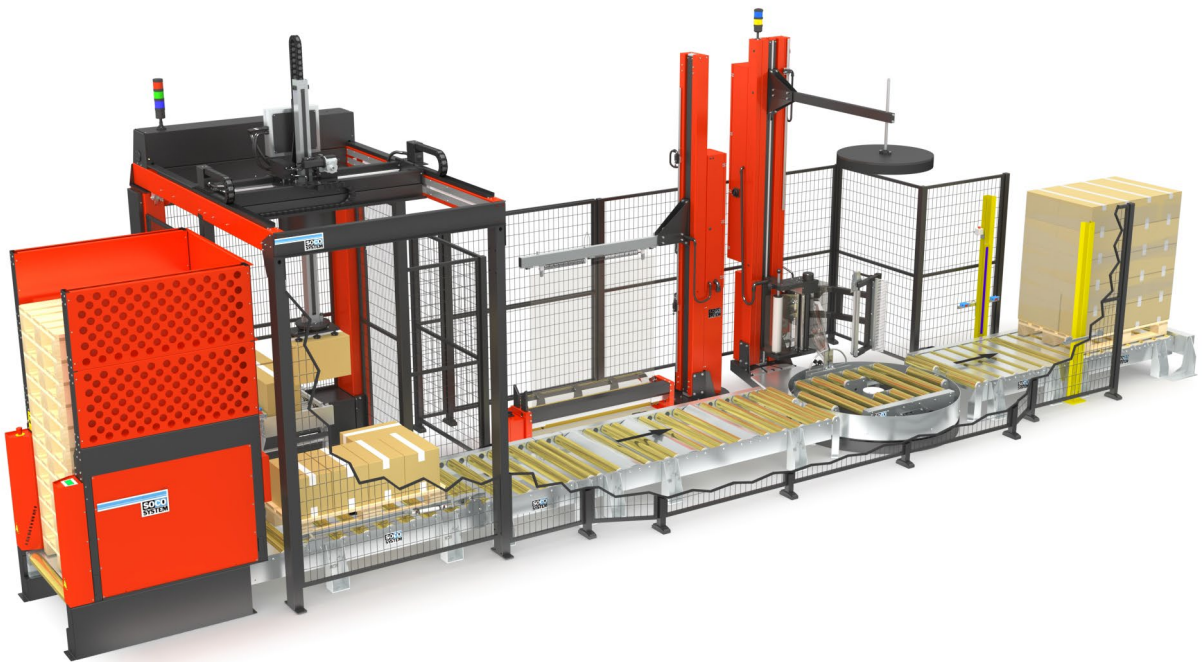
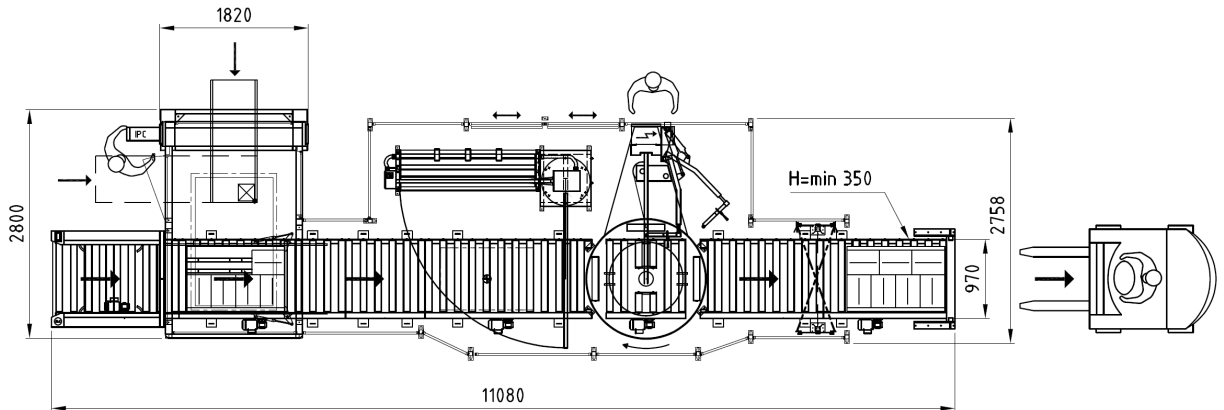
Robot palletiser with pallet magazine adjustable for different pallet widths, front feeding of empty pallets, and automatic pallet exchange



2-place robot palletiser with pallet on floor and sliding doors

SOCO SYSTEM palletising robot standard examples 2023

10



Robot palletiser with pallet magazine, automatic pallet exchange, top film applicator, automatic pallet stretch wrapper